


DZR Brass Pressure Reducing Valve - Compression

PRV2C




Features and Benefits

- Specifically designed for hot and cold residential services
- Equalises hot and cold water supplies
- Prevents excess pressure at water outlets to improve and reduce water use
- 1 valve fits both 15 & 22mm compression connection
- Supplied with pressure gauge

Technical Data

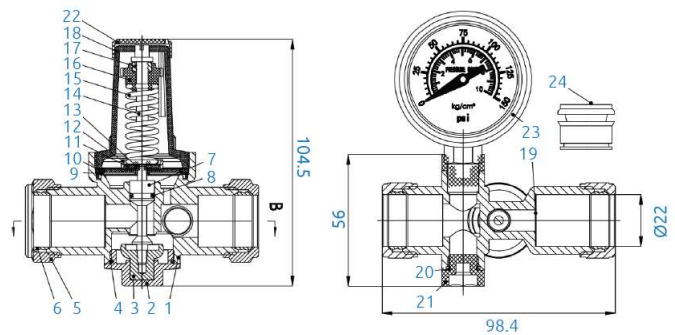
- Suitable for: Water
- Maximum upstream pressure: 16 Bar
- Downstream pressure setting range: 1-6 Bar
- Maximum working temperature: 65°C
- Pressure gauge scale: 0-10 Bar
- Factory set pressure: 3 Bar

Applicable Standards

- Complies with BS EN 1567
- Compression connections comply with EN1254-2
- WRAS approved

Product Codes & Dimensions

| STOCK NO | NAME |
|----------|-----------|
| 30973 | 15 / 22mm |



Material Specifications

| NO | NAME | QTY | MATERIAL |
|----|-----------------|-----|-----------|
| 1 | Body | 1 | CW602N |
| 2 | Bonnet | 1 | CW602N |
| 3 | Pressing cover | 1 | CW602N |
| 4 | O-ring | 1 | EPDM |
| 5 | Compression nut | 1 | HBb59-T |
| 6 | Olive | 1 | H62 |
| 7 | Stem | 1 | CW602N |
| 9 | Clasp | 1 | SS304 |
| 12 | Brass seat | 1 | CW602N |
| 15 | Spring | 1 | SS304 |
| 18 | Plastic cap | 1 | PPO |
| 19 | Strainer | 1 | SS304 |
| 22 | Protective case | 1 | PPO |
| 23 | Pressure gauge | 1 | Composite |
| 24 | Reducer | 1 | HPb59-T |