

# Polybutylene Push-fit Reducing End & Branch Tee PBF 33



## Features & Benefits

- 50 Year warranty
- Labour savings of 40%
- All white plastic system
- Twist and Lock push fittings
- Visible Connection
- Strong Stainless Grip Ring
- Permanent anti-leak system
- No tools required

## Material Specifications

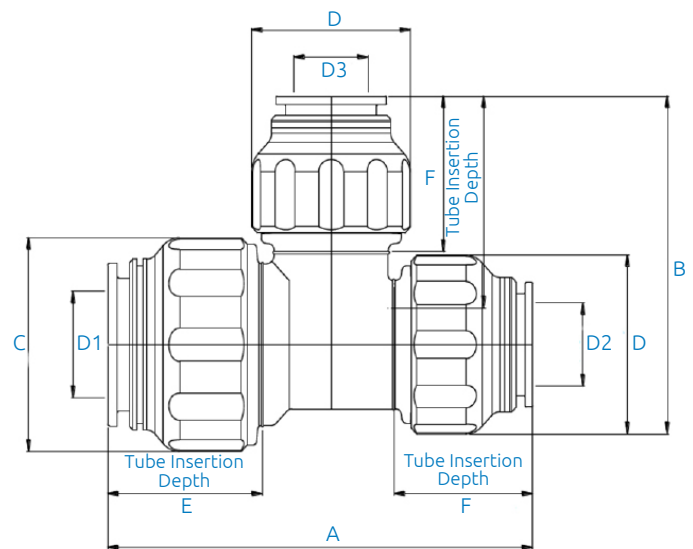
NO	Description	Materials
1	Body	Cross-Linked Polyethylene, White
2	Cap	Nylon, White
3	Collet	Celcon, White
4	O-Ring	EPDM, Black
5	Insert Ring	Acetal, Blue
6	Body Ring	Acetal, Blue

## Technical Data

- Working Press@ Temp
  - 17 Bar @ 23°C
  - 10 Bar @ 65°C
  - 6 Bar @ 95°C
  - 3 Bar @ 105°C

## Applicable Standards

- WRAS approved
- IGC 188-2009
- ASSE1061-2011
- NSF/ANSI- 14,61&372-2015
- Not suitable for hot water re-circulation systems



## Product Codes and Dimensions

STOCK NO.	D1 (mm)	D2 (mm)	D3 (mm)	A (mm)	B (mm)	C (mm)	D (mm)	E (mm)	F (mm)
36056	22	15	15	91.5	67	39	32	37	30
36057	28	22	22	112	79	50.2	39	41	37