

ART 236

PN16 Ductile Iron Flanged Double Check Valve



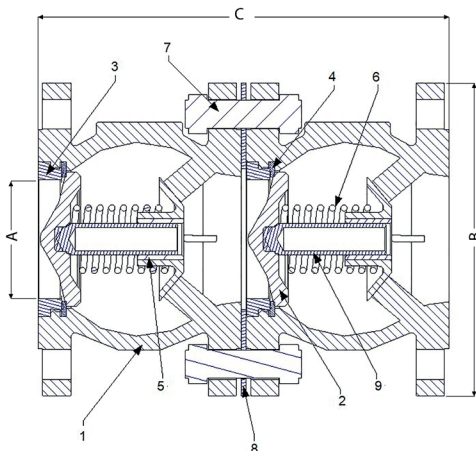
Features

- Flange mounting PN16 only (EN1092-2)
- Operates in any position
- Epoxy coat finish
- WRAS approved as a non-return valve



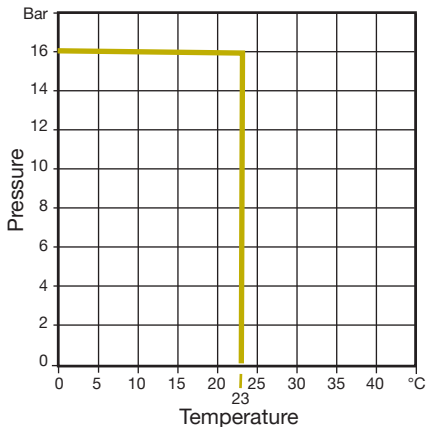
Technical data

Max pressure: 16 Bar
Working temp: -10°C to +23°C



DN	50	65	80	100	125	150
A	50	65	80	100	125	150
B	165	185	200	220	250	285
C	205	245	265	315	405	465
Kv	72	135	185	340	515	725
Kgs	12	16.2	17.2	25.0	40.0	60.0

N.	Part Name	Materials
1	Body	Ductile Iron SG 420/12
2	Plunger Top	Delrin 150
3	Sealing Ring	Delrin 150
4	Seal	Nitrile 70 Shore
5	Guide Bush	Cz132 DZR Brass
6	Spring	Stainless Steel Grade 304 S26
7	Studs	Mild Steel (Plated)
8	Gasket	Nitrile 70 Shore
9	Plunger Shaft	Cz132 DZR Brass



V1. Dimensions in mm

This data sheet is designed as a guide and should not be regarded as wholly accurate in every detail. We reserve the right to amend the specification of any product without notice.