

# ➤ DZR Brass Thermal Balancing Valve - FxF BSPT TBV1

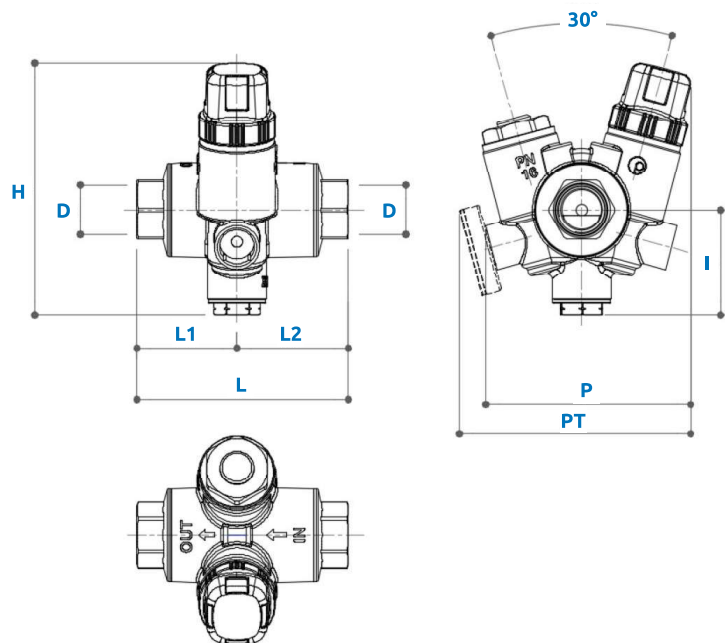


## Features and Benefits

- Thermal balancing with flow regulation via hot water temperature
- Easy temperature adjustment between 35 - 60°C and temperature proof cap
- Equipped with Thermal element for automatic anti legionella treatment
- Drywell thermometer - no need to drain

## Technical Data

- Max working pressure 16 bar
- Maximum Differential Pressure 1 bar
- Max working temperature 90°C
- Temperature setting range 35° - 60°C
- Disinfection Temperature 70°C
- Accuracy ±2°C
- Default Presetting 52°C
- Kvmax 1,8
- Kdisnf (by-passC) 1
- Kvmin (T>75°C) 0,2



## Material Specifications

NAME	MATERIAL
Body	CW511L (EN 12165)-CuZn38As-ASTM C27453
Fitting	CW511L (EN 12165)-CuZn38As-ASTM C27453
Cap	CW511L (EN 12165)-CuZn38As-ASTM C27453
O-ring	EPDM-X
Protection Handwheel	PA66
Presetting Handwheel	ABS
Spring	AISI302
Shutter	PSU

## Product Codes and Dimensions

STOCK NO	Size	L(mm)	L1(mm)	L2(mm)	H(mm)	I(mm)	P(mm)	PT(mm)	Weight(gr)
30961P	1/2"	93	44	49	112	46	91	102	950
30962P	3/4"	99	47	52	112	46	91	102	955

Dimension mm - PT = with Optional thermometer – drywell 1/2" M

# ➤ DZR Brass Thermal Balancing Valve - FxF BSPT TBV1



## Kv vs. Temperature Chart

Below is the characteristic operating diagram of the Thermal Balancing FxF Valve which shows the Kv value as a function of the temperature of the water passing through the valve and the presetting value selected.

