



DZR Cobra Dual Double Check & Isolation Valve

ISO2  

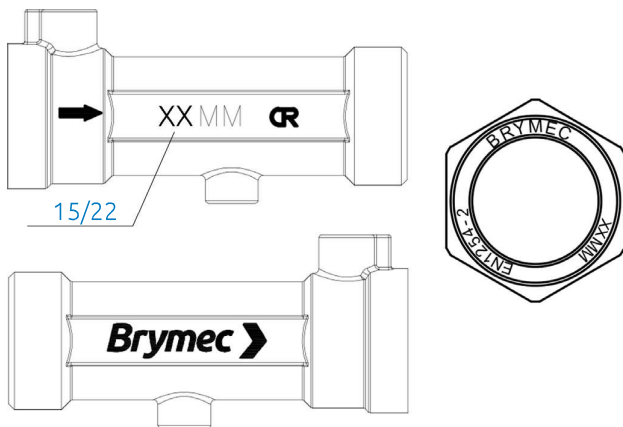


Features and Benefits

- Combined Double Check & Isolation Valve
- Space saving with reduced connections
- Non-shock, use only fully opened or closed

Applicable Standards

- Compression connections comply with: EN1254-2
- WRAS Approved

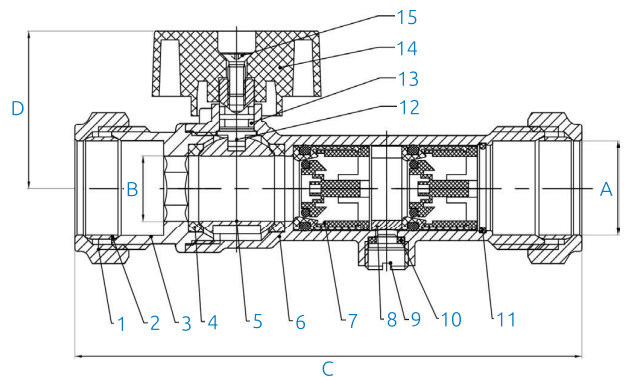


Product Codes & Dimensions

STOCK NO.	WRAS	DN	A	B	C	D
30882	Yes	15	15	10	101	32.7
30889	No	22	22	15	115	39

Technical Data

- Fields of Applications: Water
- Max. Working Pressure: PN16
- Operating Temp. Range: -10 to + 85°C



Material Specifications

NO	NAME	MATERIAL	QUANTITY
1	Compression nut	HPb59- T	2 NP
2	Olive	T2 copper	2 -
3	Bonnet	CW602N	1 NP
4	Seat	PTFE	1 -
5	Ball	HPb59- T	1 CP
6	Body	CW602N	1 NP
7	Non-Return Core	POM	2 -
8	O-ring	NBR	1 -
9	Screw	Q235	1 -
10	Catch Spring	SS304	1 -
11	Plastic Ring	Nylon	1 -
12	O-ring	NBR	2 -
13	Stem	HPb59- T	1 NP
14	Handle	Nylon	1 -
15	Screw	Q235	1 -