

# DZR Brass Commissioning Valve - Press Fit COM1TPF

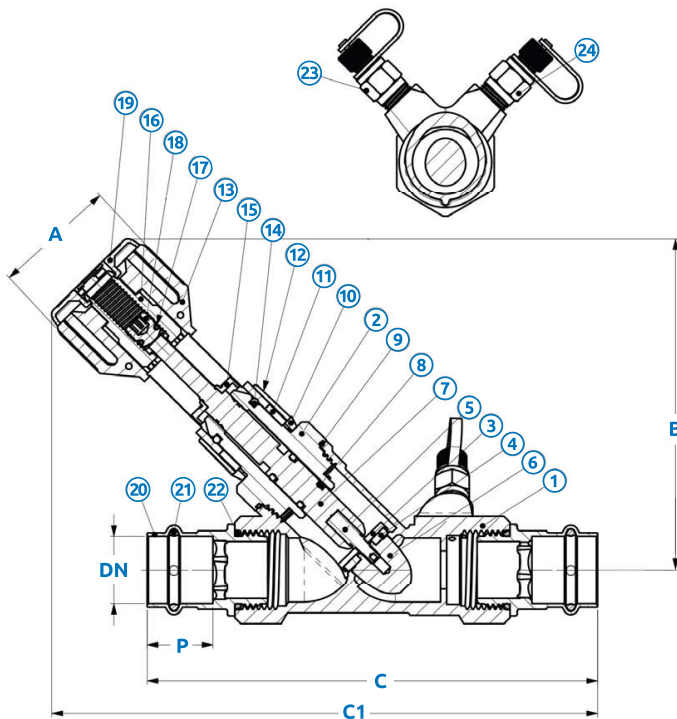


## Features and Benefits

- Press Profile - M"
- Conforms to BS 5154
- Fixed orifice with  $\pm 5\%$  flow measurement accuracy
- 5 year warranty

## Technical Data

- Max pressure:  
DN15 - 24 Bar  
DN22 & DN28 - 20 Bar  
DN 35 to DN54 - 17 Bar
- Working temp: -10°C to +120°C



## Product Codes and Dimensions

STOCK NO	Size	A(mm)	B(mm)	C(mm)	C1(mm)	P(mm)
36339	15mm	51	111	144	192	22
36340	22mm	51	129	165	217	25
36341	28mm	51	138	185	224	27
36342	35mm	51	142	216	245	27
36343	42mm	57	181	248	302	32
36344	54mm	57	190	295	326	37

## Material Specifications

NO	NAME	MATERIAL
1	Body	DZR Brass
2	Bonnet	DZR Brass
3	Gasket Support	DZR Brass
4	Gasket	EPDM
5	Stem for Shutter	DZR Brass
6	Shutter	DZR Brass
7	Stem	DZR Brass
8	Lock Nut	EPDM PEROX
9	Handle	EPDM PEROX
10	Nut	Hostaform
11	Outdistance	Nylon
12	1/10 Turn Index	Hostaform
13	Knob	Hostaform
14	Pin	Steel
15	Index	Hostaform
16	Entrainer	Brass
17	Stem Gaskets O-Ring	NBR 70SH
18	Memory	Brass
19	Cup	Hostaform
20	Adaptor	DZR Brass
21	O-Ring (Delta)	EPDM 70 PEROX
22	O-Ring	EPDM 70 PEROX
23	Binder Point Blue	-
24	Binder Point Red	-