

Stainless Press Male Iron Elbow MSP47



Technical Data

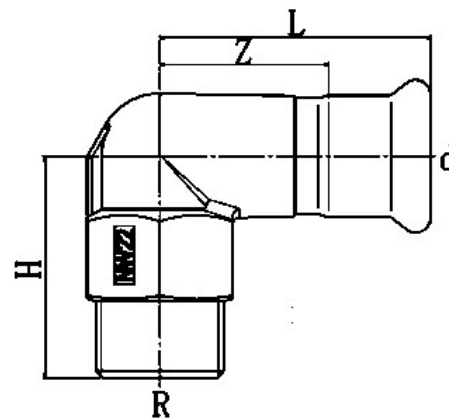
- Operating temperature -20°C ~ +120°C
- 316L Stainless Steel fitting
- EPDM Sealing ring
- "M" Profile Press Jaws or slings
- Approved tools include Novapress, REMS, Rothenberger and Ridgid
- Max Working Pressure
 - 15mm - 28mm : 40 bar
 - 35mm - 54mm : 25 bar

Features and Benefits

- Suitable for Potable water, Cooling systems, Industrial applications
- High grade Stainless Steel is extremely durable and corrosion resistant
- Blue plastic film which will fall off when crimped for easy identification of pressed joint
- Dust covers
- 30 Year Warranty

Applicable Standards

- WRAS Approved
- 316L grade stainless steel fitting
- DVGW-W534



Material Specifications

Description	Materials
Body	316L Stainless Steel
Crimp indicator film	PVC, Blue
O-Ring	EPDM
Dust Cap	PE

Product Codes and Dimensions

STOCK NO	d (mm)	R (mm)	L (mm)	H (mm)	Z (mm)
29370	15	1/2"	55	37	35
29371	22	3/4"	61	46	39
29372	28	1"	68	54	45
29373	35	1 1/4"	76	63	50
29374	42	1 1/2"	84	67	54
29375	54	2"	94	77	59