

# Stainless Press Female Female Iron Tee MSP35



## Features and Benefits

- Suitable for Potable water, Cooling systems, Industrial applications
- High grade Stainless Steel is extremely durable and corrosion resistant
- Blue plastic film which will fall off when crimped for easy identification of pressed joint
- Dust covers
- 30 Year Warranty

## Material Specifications

Description	Materials
Body	316L Stainless Steel
Crimp indicator film	PVC, Blue
O-Ring	EPDM
Dust Cap	PE

## Product Codes and Dimensions

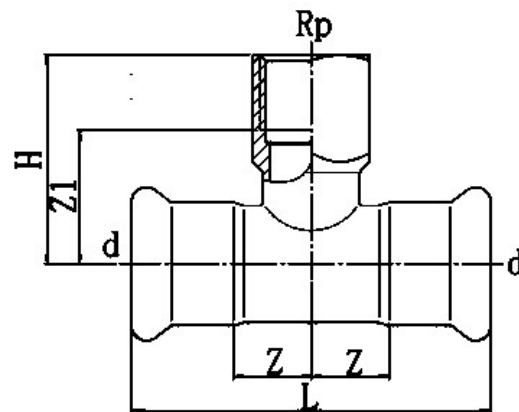
STOCK NO	d (mm)	Rp (mm)	L (mm)	H (mm)	Z (mm)	Z1 (mm)
29418	15	1/2"	66	38	13	24
29419	22	1/2"	74	42	16	28
29420	22	3/4"	74	45	16	30
29421	28	1/2"	84	45	19	31
29422	28	3/4"	84	47	19	32
29423	28	1"	84	52	19	36
29424	35	1/2"	100	49	24	34
29425	35	3/4"	100	51	24	36
29426	35	1 1/4"	100	57	24	37
29427	42	1/2"	114	53	27	39
29428	42	3/4"	114	54	27	39
29429	42	1 1/2"	114	60	27	40

## Technical Data

- Operating temperature -20°C ~ +120°C
- 316L Stainless Steel fitting
- EPDM Sealing ring
- "M" Profile Press Jaws or slings
- Approved tools include Novapress, REMS, Rothenberger and Ridgid
- Max Working Pressure
  - 15mm - 28mm : 40 bar
  - 35mm - 54mm : 25 bar
  - 76mm - 108mm : 16 bar

## Applicable Standards

- WRAS Approved
- 316L grade stainless steel fitting
- DVGW-W534



## Product Codes and Dimensions

STOCK NO	d (mm)	Rp (mm)	L (mm)	H (mm)	Z (mm)	Z1 (mm)
29430	54	1/2"	138	58	34	44
29431	54	3/4"	138	60	34	45
29432	54	2"	138	78	34	54
29433	76	3/4"	230	70	62	55
29434	76	2"	230	88	62	64
29435	89	3/4"	260	78	70	62
29436	89	2"	260	96	70	71
29437	108	3/4"	310	86	80	71
29438	108	2"	310	104	80	79