

Ductile Iron Lugged Gear Operated Butterfly Valve

CIV2G



Features and Benefits

- Lug pattern design, safety for high pressure application
- O-ring stem sealing, low torque operation
- Streamlined stainless steel disc, lower water head lost
- ISO top flange as standard, easy to suit actuators
- Bi-directional shut-off seat
- Eccentric pin on the stem, protects the structure of the stem, providing safety and strength
- Both gear operated and lever operated are available

Technical Data

- Lugged & tapped butterfly valve
- Gear operation
- Size: 6" to 12"
- Nominal Pressure: PN16
- Operating Temperature Range: -10°C to +120°C
- Suitable for : water and neutral liquids

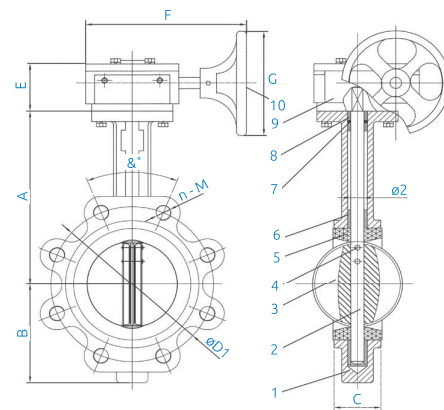
Applicable Standards

- Design standard: EN 593, BS 5155
- Connection standard: Suitable for EN1092-2
- Face to face standard: EN 558-1, BS 5155
- Top flange standard: ISO5211/1
- Testing standard: EN 12266-1

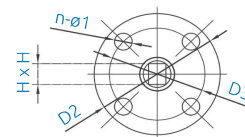
STOCK NO.	REDUCTION RATIO	OUTPUT TORQUE	INPUT TORQUE
38750	24:1	150NM	50NM
38751	30:1	500NM	70NM
38752	30:1	500NM	70NM
38753	50:1	1000NM	90NM

Material Specifications

NO	NAME	MATERIAL	QTY
1	Body	DI	1
2	Shaft	SS410	1
3	Disc	CF8M	1
4	Taper Pin	SS316	2
5	Seat Liner	EPDM	1
6	Long Bushing	FRP	2
7	O-Ring	NBR	1
8	Short Bushing	FRP	2
9	Worm Gear	DI	1
10	Hand Wheel	CI	1



Top Flange



Product Codes & Dimensions

STOCK NO.	SIZE	A	B	C	Ø2	D2	D3	E	F	G	n-Ø1	Ø1	n-M	&°	H x H	WEIGHT (KG)
38750	6"	212	139	56	18.92	90	70	71	195	147	4-10	240	8-M20	45	14x14	12.93
38751	8"	236	174	60	22.10	125	102	82	285	292	4-12	295	12-M20	30	17x17	21.50
38752	10"	265	203	68	28.45	125	102	82	285	292	4-12	355	12-M24	30	22x22	31.22
38753	12"	305	242	78	31.60	125	102	82	285	292	4-12	410	12-M24	30	22x22	47.00