

Brass Single Check Valve - Compression

NRV4C



Features and Benefits

- Single check valve with compression ends
- Brass Colour
- Flow directional
- WRAS marking on body

Applicable Standards

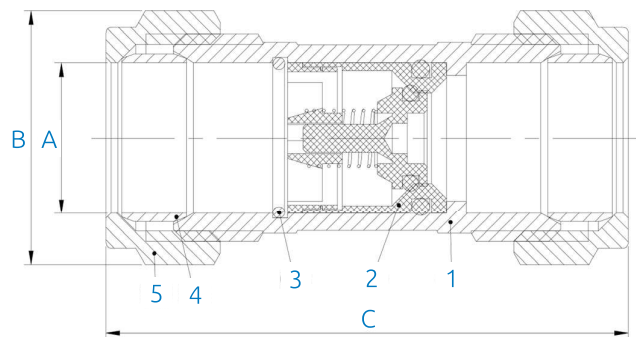
- Valves are manufactured to: BS6282-1
- Compression connections comply with: EN1254-2
- WRAS approved

Technical Data

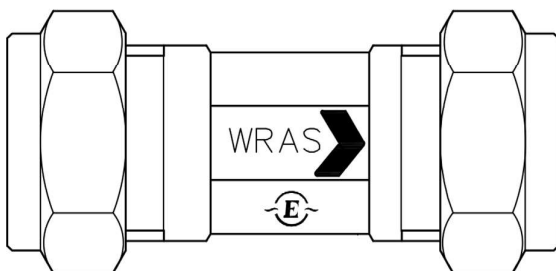
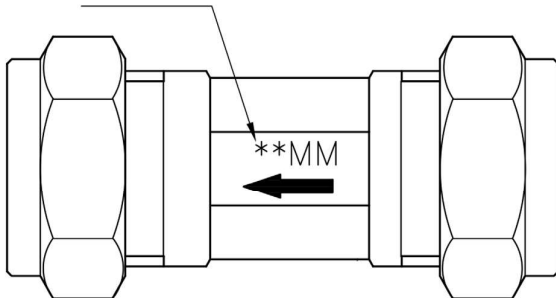
- Fields of Applications: Water
- Max. Working Pressure: PN10
- Operating Temp. Range: -10 to +85°C

Product Codes & Dimensions

STOCK NO	SIZE (mm)	A	B	C
30780	15	15	25.3	52.5
30781	22	22	35	64



15 / 22



Material Specifications

NO	NAME	MATERIAL	QUANTITY
1	Body	HPb59-T	1
2	Non-return core	POM	1
3	Catch spring	SUS 304	1
4	Olive	T2 Copper	2
5	Compression nut	HPb59-T	2