

Brass Gate Valve - Compression

GVA1C



Features and Benefits

- Compression ends
- Brass body & Gate (wedge)

Applicable Standards

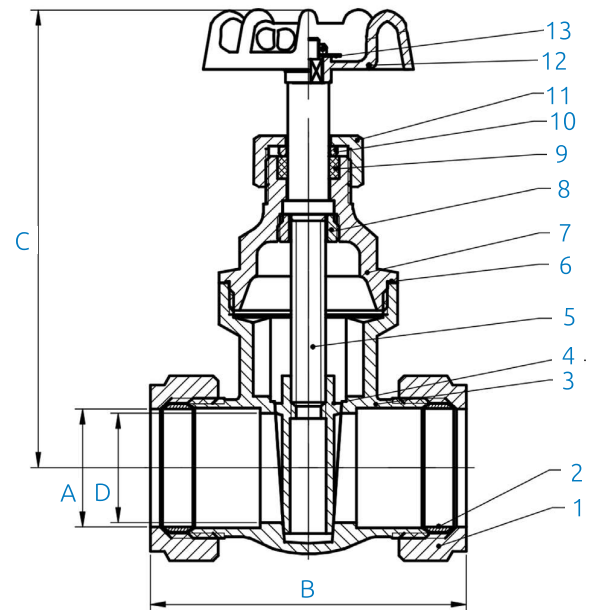
- Valves are manufactured to: BS5154
- Compression connections comply with: EN1254-2
- WRAS approved up to 28mm

Material Specifications

NO	NAME	MATERIAL	QUANTITY
1	Compression nut	HPb59- T	2
2	Olive	T2	2
3	Body	HPb59- T	1
4	Gate	HPb59- T	1
5	Stem	HPb59- T	1
6	Sealing washer	PTFE	1
7	Bonnet	HPb59- T	1
8	Lock ring	HPb59- T	1
9	Packing	PTFE	1
10	Lock nut	HPb59- T	1
11	Handle	Cast iron	1
12	Nameplate	AL	1
13	Nut	Q235	1

Technical Data

- Suitable for: Water
- Max. Working Pressure: PN16
- Max. Working Temp: 90°C



Product Codes and Dimensions

STOCK NO	WRAS	A (mm)	B	C	D
30813	YES	15	61	70	13
30814	YES	22	71	75	19
30815	YES	28	76	89	24
30816	NO	35	92	119	32
30817	NO	42	101	127	38
30818	NO	54	123	157	50