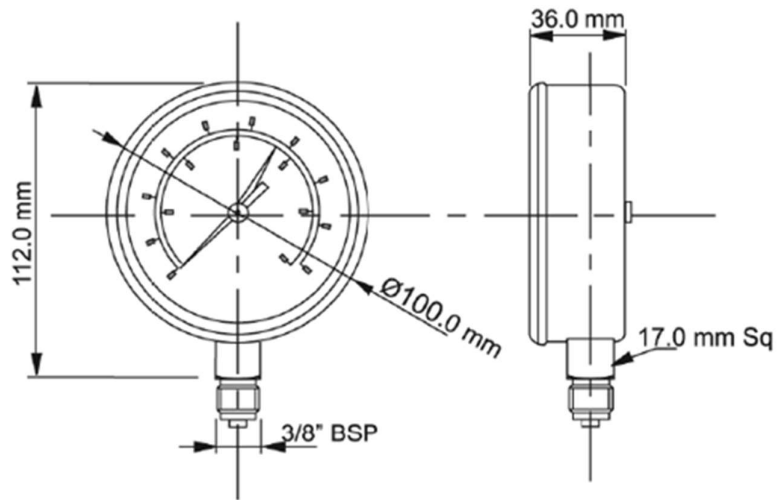


Pressure Gauges - 100mm Diameter



Features and Benefits

- Pressure Gauge with Stainless Steel Bezel
- Adjustable loose red pointer
- Brymec Quality and Accuracy
- Wide choice of pressure ranges
- 3/8" bottom and rear entry available
- For dry indoor installations

Product Codes

Stock no.	Connection	Pressure Range
31169	3/8" Bottom Connection	0-4 Bar
31170	3/8" Bottom Connection	0-6 Bar
31172	3/8" Bottom Connection	0-10 Bar
31184	3/8" Bottom Connection	0-21 Bar
31185	3/8" Bottom Connection	0-25 Bar
31171	3/8" Back Connection	0-6 Bar
31173	3/8" Back Connection	0-10 Bar

Specifications

Dial Dia.	100mm
Design	BS EN837
Safety Category	S1 (blow-out device gauge)
Accuracy Class	1.6
Case	Black Steel
Bezel	Stainless Steel - Rolled
Window	Acrylic, snap fit
Pointer	Black Aluminium and loose red pointers
Filling	Dry
Working Pressure	Steady: 75% full scale range
	Fluctuating: 60% full scale range
	Short Time: full scale range
Operating Temp.	Ambient: -20 to +60°C
	Medium: -20 to +60°C
Temperature Effect	When the temperature of the pressure element deviates from reference temperature of 20°C the maximum additional error is +/-0.4 per 10°C of the span rising and falling
Bourdon	Cu-Alloy C-type
Bourdon Movement	Cu-Alloy
Protection	IP 43 (BS EN 60529:1992)