

Polybutylene Push-fit Isolation Valve

PBF 05



Technical Data

- Working Press@ Temp
 - 10 Bar @ 1°C - 20°C (Water)
- Maximum Handle Torque – 0.2 Nm
- Not suitable for hot water re-circulation systems
- Suitable for cold water only

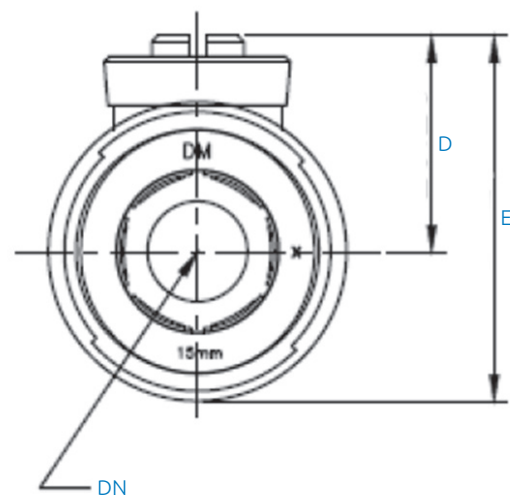
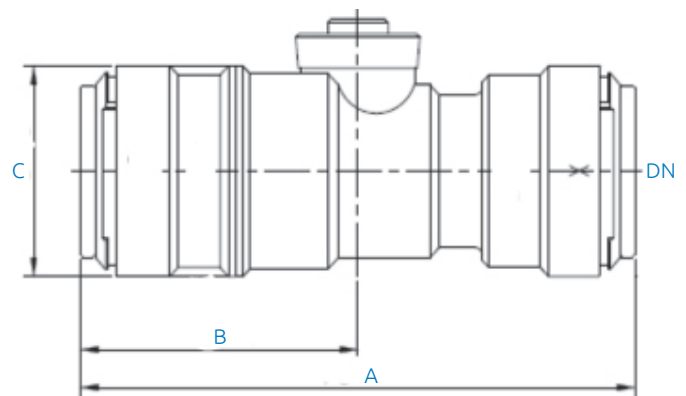
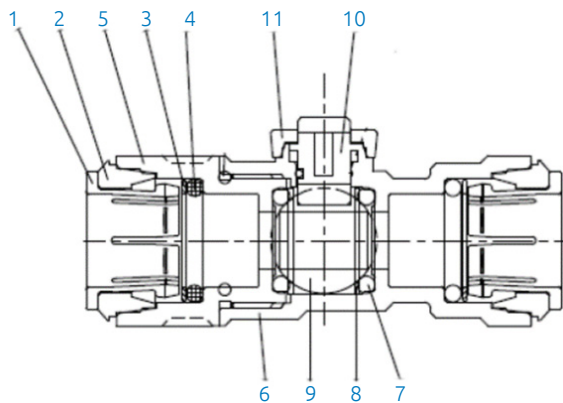
Applicable Standards

- Comply to ISO 9001 /14001
- WRAS Approved
- ASTM D-1693(IGEPAL)
- SK ZERT(SK380-001)
- NSF/ANSI-51
- NSF/ANSI-61
- FDA



Features & Benefits

- 50 Year warranty
- Labour savings of 40%
- Strong Stainless Grip Ring
- Permanent anti-leak system
- No tools required
- Easy quarter-turn operation for opening and closing



Material Specifications

NO	Description	Materials
1	Collet	POM & SUS
2	Cap	POM
3	Support	POM
4	O-Ring	EPDM
5	Body Male	POM
6	Body Female	POM
7	O-Ring	EPDM
8	Guide Ring	POM
9	Ball	POM
10	Shaft	POM
11	Shaft Cap	POM

Product Codes and Dimensions

STOCK NO.	DN	A (mm)	B (mm)	C (mm)	D (mm)	E (mm)
36086	15	78.06	39.03	28	20.20	34.20