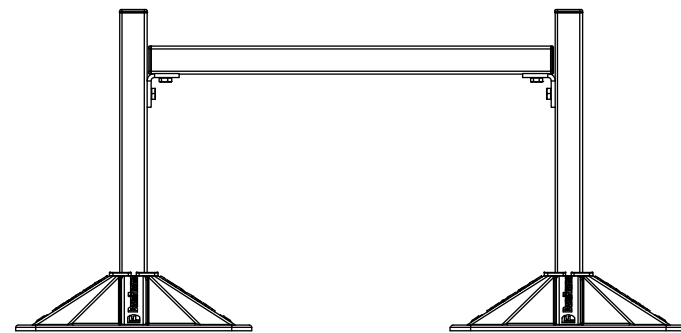
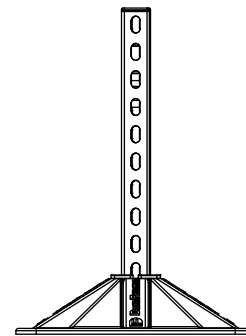


PLAN VIEW



ELEVATION A



ELEVATION B

DF3000 BI POD KIT

Flexible, multi-purpose 'H' frame support kit for Ductwork, pipework and other Building Services supply runs.

Construction: PLASTIC FOOT - recycled rubber with plastic binder, foot construction allows some degree of flexibility

FRAMING: Standard 41 x 41 heavy duty 'Unistrut' type steel channel - supplied by customer and cut to length as required

Finish: Channel finish as supplied by client

Weight: Component weight dependant on size of finished frame

Loading: Load bearing capacity dependant on channel specification as supplied by client. Max load on any individual foot must not exceed 250kg.

Note: loadings stated only apply on flat, level bearing surface with uniformly distributed load and do not take into account any imposed loads from wind/snow etc. Any eccentricity of the applied load should be noted to a qualified structural engineer for verification.

Due to manufacturing tolerances all dimensions are approximate and should be verified on site
 It is the responsibility of the customer to thoroughly check all measurements, loadings, calculations etc. and consult a suitably qualified structural engineer to confirm the suitability of the proposed framework and substrate on which it will be mounted, including any other relevant factors such as wind/snow loading, building location/height etc.
 Any Duraframe weight capacities stated are for uniformly distributed loads.
 All Duraframe installations should be carried out by competent and suitable qualified persons and all in accordance with any relevant regulations/recommendations in force

Fabricated in the UK for Brymec Ltd
 Unit C Redlands, Coulsdon, CR5 2HT
 Tel: 020 8655 8700

www.brymec.com/duraframe

